



EXPLOSION-PROOF – INTRODUCTION & LOGIC



Class I, Div. 1 & 2, Groups C,D
 Class I, Zones 1 & 2, Groups IIB, IIA
 Class II, Div. 1 & 2, Groups E,F,G
 Class III, Div. 1 & 2
 Suitable for wet locations
 Suitable for Paint Spray Booth
 Marine Rated (US only)
 Type 3, 4, 4X
 Factory Sealed

Certified - File LR11713

HOSTILELITE® LED

FEATURES-SPECIFICATIONS Applications

HostileLite® EML LED Series fixtures are designed for installations where moisture, dirt, dust, corrosion and vibration may be present, or Type 3 and 4X areas where wind, water, snow, or high ambients can be expected. They can be used in locations made hazardous due to the presence of flammable or explosive gases, vapors and combustible dusts as defined by the NEC.

Applications include classified areas such as paint manufacturing plants, ammunition facilities, oil and gas producing and refining plants, off-shore and dockside installations, tank farms, pipeline pumping stations and marine loading and fuel transfer terminals.

Compliances

- UL-8750 for LED lighting
- UL-844 Electric Lighting Fixtures for use in Hazardous Locations
- UL Marine Type Electric Lighting Fixtures
- CSA C22.2 no. 137-M1981 Electric Luminaires for use in Hazardous Locations
- Type 3, 4, 4X, 7CD, 9EFG

Materials

- Housing, splice box and guards corrosion resistant copper-free aluminum alloy
- Baked powder epoxy/polyester finish, electrostatically applied for complete, uniform corrosion protection
- All external hardware – Stainless Steel
- Reflectors are aluminum with white finish

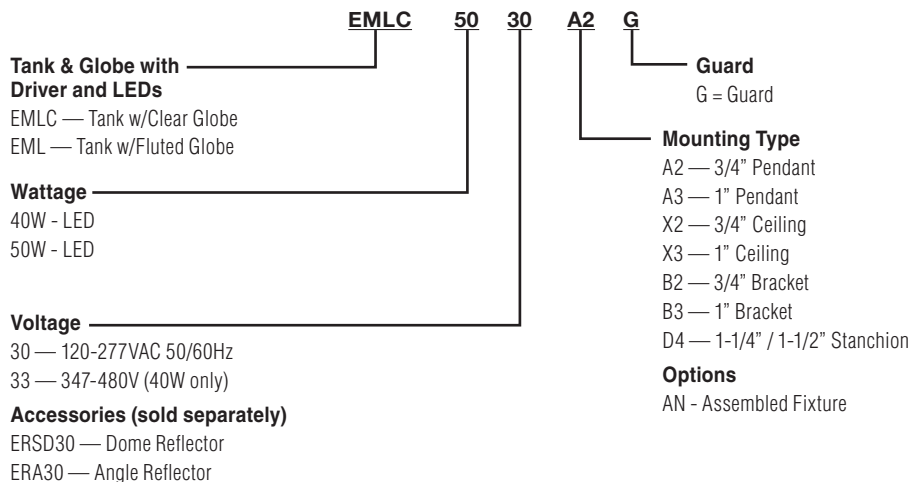
LED Luminaire Features and Standards

- Compact Explosion-proof with Traditional Industrial Appearance and Suitability
- Fluted or Exclusive Clear Globe; Dome or Angle Reflectors
- Optional Mounting arrangements including Pendant, Wall, Ceiling, and Stanchion
- EML LED Housings can be retrofitted to existing EZ splice boxes; upgrade from Incandescent, Fluorescent or HID
- Energy Savings – Less than 55 Watts of Power
- LED Array Life – 100,000+ hours with 70% initial lumens
- Long Fixture Life – 50,000 - 55,000 maintenance free hours

- Crisp White Light for Excellent Color Rendering – Chromaticity 5000K (CCT range; approx. 70 CRI)
- Ambient suitability -40°C to 55°C
- Instant on – Including after power interruption
- “World Voltage” 120-277VAC 50/60Hz
- Solder-LESS LED Board Connections – Vibration Resistant
- Factory Sealed Construction – No external seal required, simply wire mouting cap and thread-in fixture to install

Suitable for Paint Spray Booth Applications

Catalog Number Logic



LIGHTING

EML SERIES



EXPLOSION-PROOF – ORDERING INFORMATION



Pendant



Ceiling



Wall



Stanchion

ORDERING INFORMATION

EML SERIES PENDANT WITH OPTIC AND GUARD				
WATTS	HUB SIZE	VOLTAGE	FLUTED GLOBE & GUARD	CLEAR GLOBE & GUARD
40	3/4"	120-277VAC	EML4030A2G	EMLC4030A2G
50	3/4"	120-277VAC	EML5030A2G	EMLC5030A2G

EML SERIES CEILING WITH OPTIC AND GUARD				
WATTS	HUB SIZE	VOLTAGE	FLUTED GLOBE & GUARD	CLEAR GLOBE & GUARD
40	3/4"	120-277VAC	EML4030X2G	EMLC4030X2G
50	3/4"	120-277VAC	EML5030X2G	EMLC5030X2G

EML SERIES WALL WITH OPTIC AND GUARD				
WATTS	HUB SIZE	VOLTAGE	FLUTED GLOBE & GUARD	CLEAR GLOBE & GUARD
40	3/4"	120-277VAC	EML4030B2G	EMLC4030B2G
50	3/4"	120-277VAC	EML5030B2G	EMLC5030B2G

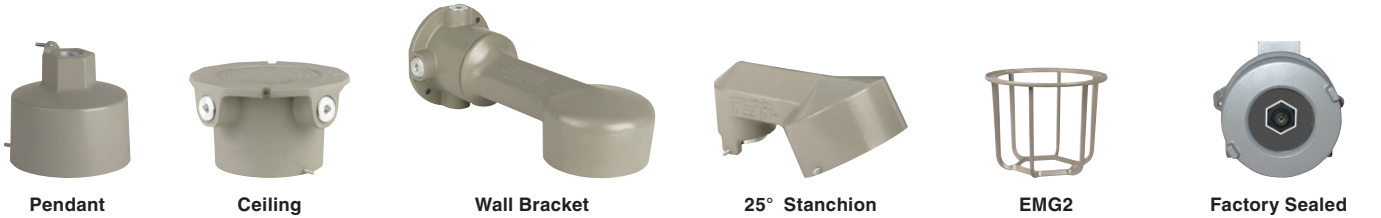
EML SERIES 25° STANCHION WITH OPTIC AND GUARD				
WATTS	HUB SIZE	VOLTAGE	FLUTED GLOBE & GUARD	CLEAR GLOBE & GUARD
40	1-1/4"/1-1/2"	120-277VAC	EML4030D4G	EMLC4030D4G
50	1-1/4"/1-1/2"	120-277VAC	EML5030D4G	EMLC5030D4G



EML SERIES

KILLARK

EXPLOSION-PROOF – COMPONENTS & RATINGS



EZ MOUNTING BRACKETS				
CATALOG NUMBER				HUB SIZE
PENDANT	CEILING	WALL	STANCHION	
EZA2	EZX2	EZB2	—	3/4"
EZA3	EZX3	EZB3	—	1"
—	—	—	EZD4*	1-1/4" / 1-1/2"*

* 1-1/2" furnished with 1-1/2" - 1-1/4" reducer

EML - EMLC LED ACCESSORIES	
DESCRIPTION	CATALOG NUMBER
Guard	EMG2
Dome Reflector	ERSD30
Angle Reflector	ERA30
CIDI C2D1 N4X Photocell 120VAC	VMHKPC1
CIDI C2D1 N4X Photocell 208-277VAC	VMHKPC2
Replacement Fluted Globe & Support	EMGS3
Replacement Clear Globe & Support	EMGS2
Adapter to old Killark "H" Series or Crouse Hinds®	EAC/EACH



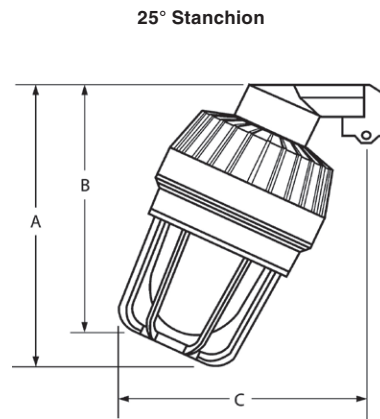
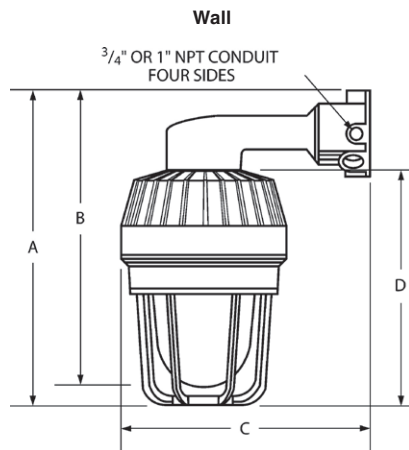
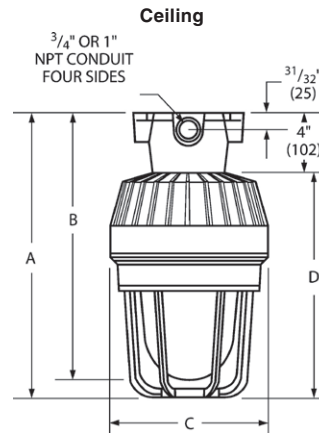
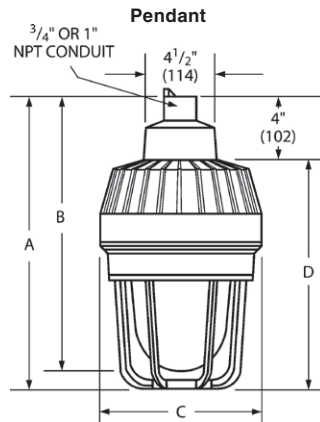
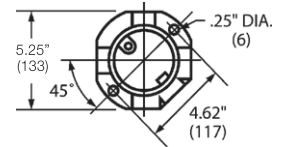
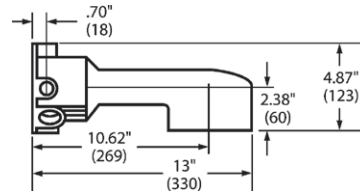
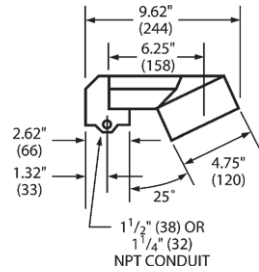
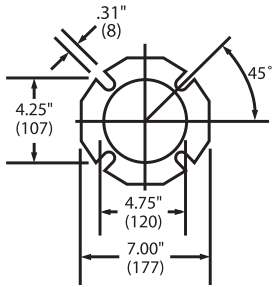
ORDERING INFORMATION AND AMBIENT SUITABILITY							C1D1/C1Z1		C2D1		L70	
CATALOG NO.	WEIGHT LBS./KG	WATTS	VOLTAGE	AMPS	EML FLUTTED LUMENS	EMLC CLEAR LUMENS	40°C	55°C	40°C	55°C	TM-21	CALCULATED
EML4030	26.00 / 11.79	40	120-277VAC	0.46-0.16	3479	3750	T6	T6	T4A (EFG)	T4 (EFG)	60100	270000
EML4033			347-480VAC	0.14-0.10								
EML5030		50	120-277VAC	0.43-0.18	5740	5741	T6	T6	T4A (EFG)	T4 (EFG)	72600	278000

TYPICAL WEIGHTS (LBS.) W/STANDARD GLOBE AND GUARD - EML (C) SERIES			
Pendant 29.33	Ceiling 31.79	Wall 33.25	Stanchion 30.94



LIGHTING

EXPLOSION-PROOF – DIMENSIONS & WEIGHTS



EML(C) DIMENSIONS				
TYPE	A	B	C	D
PENDANT	15-15/16" (404)	15-1/16" (382)	8-13/16" (224)	11-15/16" (303)
CEILING	15-15/16" (404)	15-1/16" (382)	8-13/16" (224)	11-15/16" (303)
WALL	16-13/16" (426)	15-15/16" (404)	15" (379)	11-15/16" (303)
STANCHION	15-1/8" (384)	14" (356)	13-1/2" (343)	